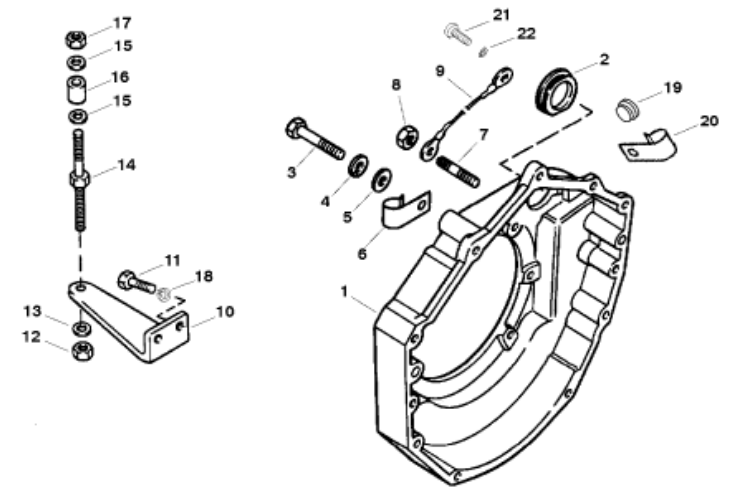


Parts List



Ref	Class	Part	Description	Qty	Comment	Footnote
1		44187T	HOUSING-Flywheel	1		
2	19	12304	PLUG-Timing Window	1		
3	10	48424	SCREW (.375-16 x 1.620)	2		
3	10	37612	SCREW (.375-16 x 1.250)	1		
3	10	53734	SCREW (.375-16 x 3.00)	2		
4	13	35048	LOCKWASHER (.375)	8		
5	12	20553	WASHER	6		
5	12	20572	WASHER (FOR SLOT)	1		
6	54	78945	J CLIP	2		
7	16	64066	STUD (2.750 In.)	2		
8	11	32219	NUT (.375-16)	2		
9	84	62826A12	CABLE ASSEMBLY-Ground	2		
10		17917	BRACKET-Shift	1	DRIVELINE MODELS	
11	10	28668	SCREW (.250-20 x .875)	2	DRIVELINE MODELS	
12	11	35045	NUT (.250-28)	1	DRIVELINE MODELS	
13	12	39143	WASHER	1	DRIVELINE MODELS	
14	16	63335	STUD	1	DRIVELINE MODELS	
15	12	21631	WASHER	2	DRIVELINE MODELS	
16	23	31866	SPACER	1	DRIVELINE MODELS	
17	11	20361	NUT (.250-28)	1	DRIVELINE MODELS	
18	13	26992	LOCKWASHER (.250)	2	DRIVELINE MODELS	
19	19	38606	PLUG	1		
20	54	62494	CLIP-Hose	1		
21	10	62568	SCREW (#10-16 x .375)	1		
22	13	69432	LOCKWASHER (#10)	1		